

POS

PS-8851A

Low Power and Economical 15" POS

Features and Benefits:

- Low power consumption
- Optional pole display
- Tilting angle from 0° to 51°
- Optional magnetic card reader module (triple track)
- I/O ports highlights:
 - 4 serials, +5V & +12V selectable
 - 1 parallel,
 - 2 USBs (2.0),
 - 1 10/100 Base-TX LAN
 - 1 VGA
- Industry level of durability
- Spill proof water-resistant design



**WEPOS
Ready**



No. 24, Lane 365, Yang Guang St., Nei Hu District, Taipei 114, Taiwan, R.O.C.

Tel: +886-2-8751-1111

Fax: +886-2-8751-1199

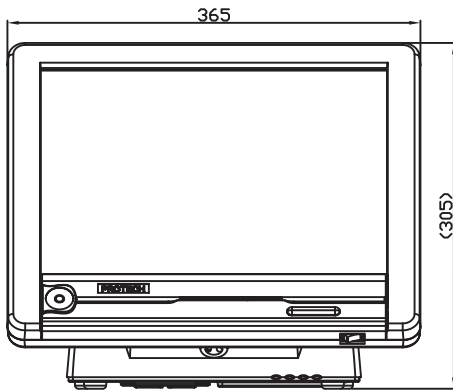
Email: sales@protech.com.tw

<http://www.protech.com.tw>

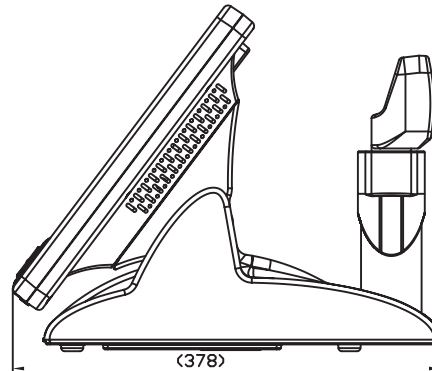
ISO CERTIFIED
9001 14001

PS-8851A Low Power and Economical 15" POS Terminal

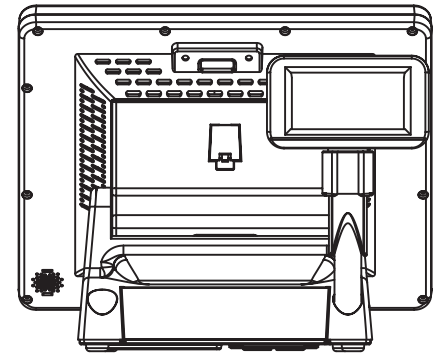
Front View



Side View



Rear View



Specification

| System | |
|--------------------------|--|
| CPU | VIA Eden™ mBGA CPU 733MHz |
| Memory Support | 1x DIMM, DDR 266 SDRAM up to 1GHz max |
| Power Supply | External 24V DC-in 60W power supply |
| O.S. Support | Windows 98/2000/XP, Linux, WEPOS |
| System Weight | 8.7kg (19.2lb) |
| Dimension (WxHxD) | 315 x 356 x 277 mm (12.4" x 14" x 10.9") |
| Certificate | CE, FCC |

I/O Ports

| | |
|-----------------------|-------------------------------------|
| Drive Bays | 1 x 3.5" HDD (internal) |
| USB | 2 x USB 2.0 ports |
| Serial Ports | 4 x COM ports |
| Parallel | 1 x Parallel port (SPP/EPP/ECP) |
| Keyboard/Mouse | 2 x PS/2 ports |
| LAN | 1 x 10/100 Mbps |
| Audio | AC '97 Codec with speaker |
| Option | Card reader/ pole display/ i-Button |
| Others | Internal CF card slot |

Display

| | |
|----------------------|------------------|
| LCD | 15" TFT LCD |
| Touch Screen | Analog resistive |
| Viewing Angle | 0~51 degree |

Environment

| | |
|------------------------|------------|
| Operating Temp. | 0°~40° C |
| Storage Temp. | -20°~60° C |
| Humidity | 20%-90% |

Ordering Information

| | |
|--------------------|--|
| PS-8851A-AB | POS Terminal (black color) with 15.1" XGA LCD Display /touch screen /VIA Eden 733MHz CPU /3.5" HDD bracket |
|--------------------|--|

*SDRAM, and HDD are available as optional items



Data Entry



Printer



Barcode Scanner



Customer Display

All of trademarks and brand names are the property of their owners. Trademark "Protech" is the property of Protech Systems Co., Ltd. All information contained in this document is subject to change without any prior notice. This catalog is copyrighted in Jan. 2005